



The new generation
of skid steer loaders.

ELISE 900^{MK3}

firstgreenindustries.com

Fully **electric**,
noiseless,
zero emmision.



Cost **effective**,
nearly no
maintenance.



Powered with technology.

ELISE 900. The world's first electric skid steer loader represents the highest technology and years of experience of FIRSTGREEN Industries.

- Extensive safety features
- Ground breaking powertrain
- Micro speed for precision maneuverability
- Self-levelling gyro platform
- Extremely low operating cost
- Minimal maintenance
- 100% Eco-friendly

Battery endurance

3-8_h

8+ hours
with extended battery

Hinge pin height

3637_{mm}

356mm/14 inch higher reach than
the competing average

Side tilt

47°

10° higher tilt angle
than competing average

Chassis Clearance

262_{mm}

44mm/1.73 inch higher
than competing average

Remote Control

50_m

164 feet operating radius
and 15m/ 49 feet with smart app

Loading capacity

900_{kg}

and 1200kg/3086lbs when using
400Ah capacity extended battery



Technical specs.



ELISE 900

GENERAL SPECIFICATIONS	METRIC	IMPERIAL
Rated load capacity	900 / 1 200 kg	1 984 / 2 645 lb
Tipping load	1 800 / 2 400 kg	3 968 / 5 291 lb
Minimum travel speed	0.15 km/h	0.09 mph
Maximum speed	12 km/h	7.46 mph
Maximum travel speed	12 km/h	7.46 mph

MOTOR	METRIC	IMPERIAL
Electric engine type	3xGEW	3xGEW
Rated power	3x10kW	3x13.41 HP
Maximum power	3x27kW	3x36.21 HP
Maximum torque	3x120Nm	3x88.51 lb ft

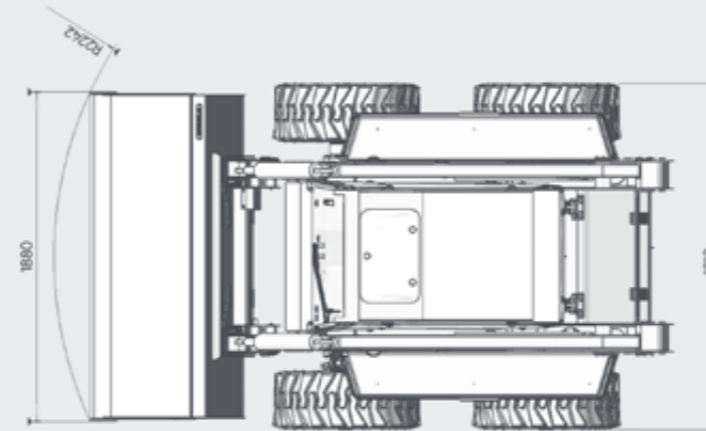
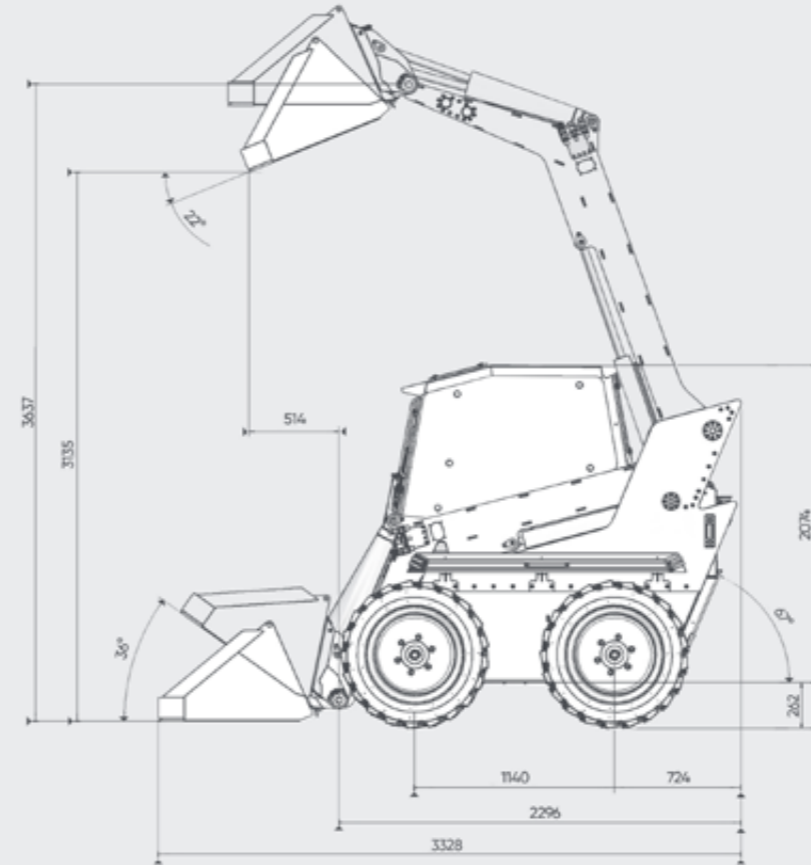
TUNE-UP YOUR MACHINE

Options

- Windowless cabin re-build set
- Air conditioning
- Integrated charger for the extended battery option
- 3 phase charger, or twin 1 phase chargers
- Safety open door sensor
- Standard lead-acid battery with 240 Ah capacity
- Extended lead-acid battery with 400 Ah capacity
- Rubber or steel track set for increased traction
- Cable set pre-install for electric attachments

Standard features

- Rear-view camera
- Left and right rear-view mirror
- Mandatory lighting
- Front work light
- Rear work lights
- Orange beacon light
- Reversing alarm
- Off-road wheels
- Safety opening window
- Front roller sunshade
- Tinted glass
- Windshield wiper with sprayer
- Safety reinforced cab
- Seat with safety belt and operator detector system
- Quick coupler – SAE J2513
- ISO joystick control
- Vertical bucket stabilization system
- Electric heater
- Android smartphone with control app
- External battery charger
- User and maintenance manual



WEIGHTS	METRIC	IMPERIAL
Rated operating weight	3 300 kg	7 275 lb
Total weight of the loader	4 200 kg	9 259 lb

HYDRAULICS	METRIC	IMPERIAL
Hydraulic oil pressure	180 Bar	2610 psi
Hydraulic oil flow	65 l/min	17.17 gal/min
Hydraulic oil reservoir	40 l	10.57 gal

Compare technical specifications for this product online at www.firstgreenindustries.com



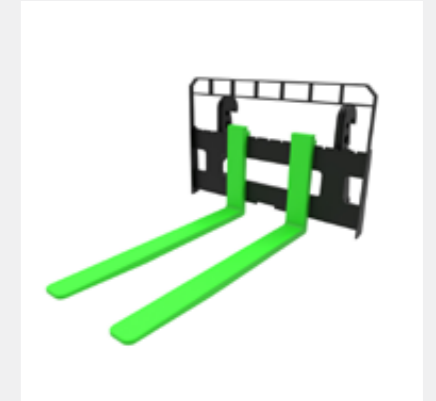
With a wide range of attachments.



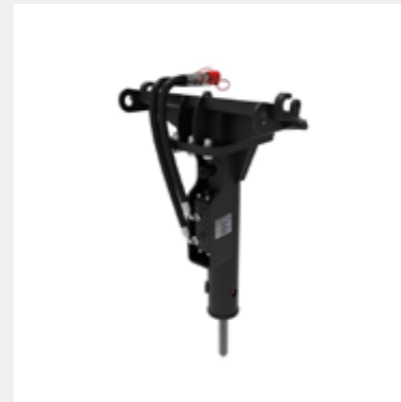
Standard bucket



Concrete mixer



Pallet forks



Hammer



Auger



... plus 34 other attachments on [firstgreenindustries.com](https://www.firstgreenindustries.com)

+420 737 633 733

info@firstgreenindustries.com



For more FIRSTGREEN products, visit
www.firstgreenindustries.com

+420 737 633 733, info@firstgreenindustries.com