

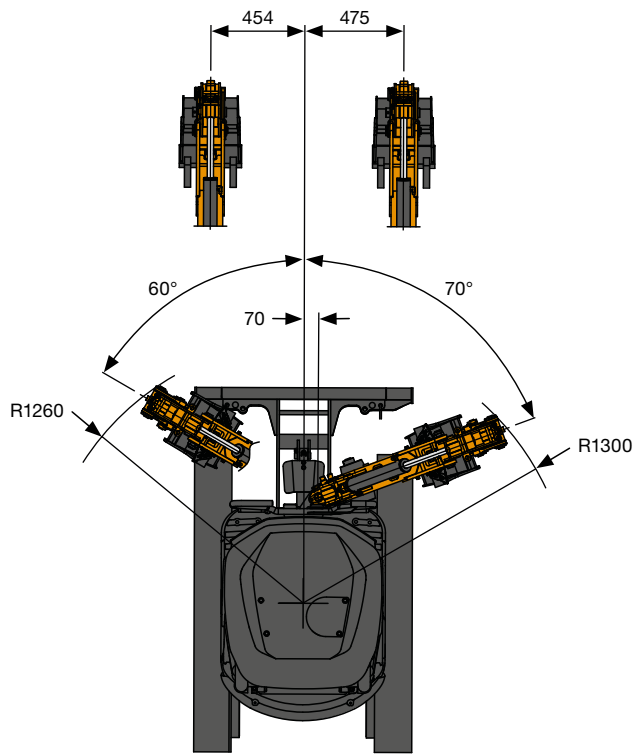
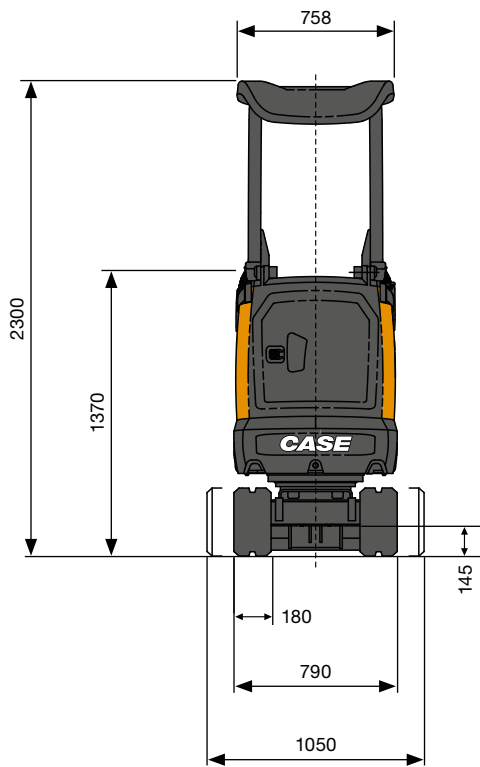
CX14D



MINI EXCAVATORS
D-Series



Engine D722
Engine power 8.8 kW - 11.8 HP
Operating weight 1360 kg



GENERAL DIMENSIONS

Maximum width	mm	790 - 1050
Total height	mm	2300
Tracks width	mm	180
Rear rotation radius	mm	565
Digging arm length standard (optional)	mm	1020 (1150)
Rollers number (for each side)	n°	3

LIFTING CAPACITY

CX14D

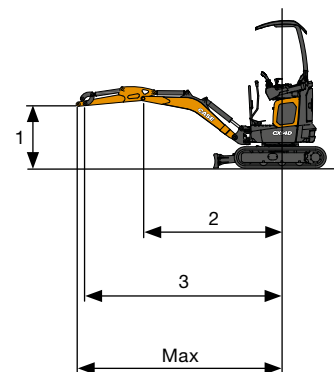
Opening arm from the rotation's center (m)
Lifting capacity (ton) at 1.0 m height

LIFTING CAPACITY	2	3	Max
Frontal and lowered dozer blade	0.30*	0.15*	0.14*
Frontal and lifted dozer blade	0.30*	0.15	0.13
Lateral, open undercarriage	0.28*	0.14	0.11

* Indicates the hydraulic load limit.

The lifting capacity is based on the ISO 10567 and it does not exceed more than the 75% of static tipping load or more than the 87% of the hydraulic lifting capacity of the machine.

Standard dipper stick L = 1020 mm
(Optional dipper stick L = 1150 mm)



STANDARD AND OPTIONS

STANDARD EQUIPMENT

- + Tiltable Roll-bar (ROPS/TOPS)
- + Vinyl seat with Mechanical suspension (canopy)
- + Standard arm
- + Boom Lift cylinder and dozer blade cylinder protection
- + Additional counterweight
- + Servo-assisted hydraulic joysticks with Electro-Hydraulic proportional controls
- + Electro-Hydraulic proportional Swing control
- + 1st Auxiliary (AUX1) circuit with Electro-Hydraulic proportional control
- + Mechanical diverter between Single effect and Double effect AUX1
- + 2 speed travel with Automatic Shift Down (from 2nd to 1st gear if more traction is required) and Shift-up
- + Rubber tracks
- + Standard Dozer Blade
- + Extendable undercarriage
- + Operator manual
- + Documents box and Tool kit for maintenance
- + Ignition key, which opens every machine lock
- + Standard LED working lights (boom)
- + Battery disconnect switch
- + Variable Volume Pump
- + Standard Hydraulic oil and Lubricants

OPTIONAL EQUIPMENT

- + Roll-bar plastic cover (FOPS Level 1)
- + Anti-Theft
- + Travel alarm
- + Long arm
- + 2nd Auxiliary (AUX2) circuit with Electro-Hydraulic proportional control
- + Block valves on dozer blade cylinder
- + Extra LED working lights (roof)
- + Rotating beacon
- + Case Sitewatch
- + Bio Hydraulic oil and Lubricants
- + Mechanical quick couplers
- + Buckets

CASE AFTERMARKET SOLUTIONS

- + Arm cylinder and bucket cylinder protection
- + Pattern change ISO-SAE
- + Vast variety of attachments
- + Full range of Buckets
- + Full range of Mechanical and Hydraulic quick couplers

CNH Industrial
Deutschland GmbH
Case Baumaschinen
Benzstr. 1-3 - D-74076 Heilbronn
DEUTSCHLAND

CNH Industrial
Maquinaria Spain, S.A.
Avenida Aragón 402
28022 Madrid - ESPAÑA

CNH Industrial France, S.A.
16-18 Rue des Rochettes
91150 Morigny-Champigny
FRANCE

CNH Industrial Italia Spa
via Plava, 80
10135 Torino
ITALIA

CASE Construction Equipment
Cranes Farm Rd
Basildon - SS14 3AD
UNITED KINGDOM

NOTE: Standard and optional fittings can vary according to the demands and specific regulations of each country. The illustrations may include optional rather than standard fittings - consult your Case dealer. Furthermore, CNH Industrial reserves the right to modify machine specifications without incurring any obligation relating to such changes.

Conforms to directive 2006/42/EC

CASECE.COM
00800-2273-7373

The call is free from a land line.
Check in advance with your Mobile Operator if you will be charged. Toll free number not available from all calling areas.